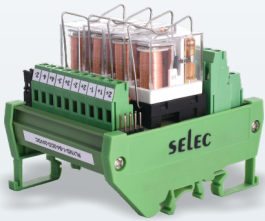


RLYMD-1-S4-2CO-24VDC



69 x 87 x 78mm

RLYMD-2-S8-2CO-24VDC



138 x 87 x 78mm

Certifications : **CE RoHS**

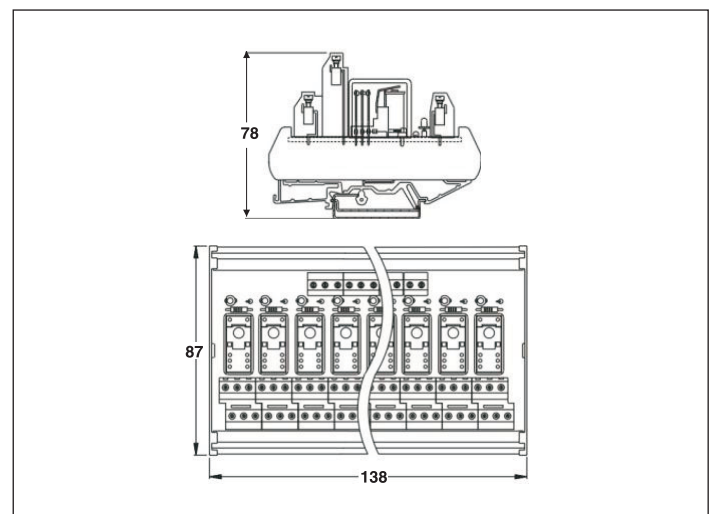
## Features :

- Double Changeover
- LED & free Wheeling Diode across Coil
- Jumpers for Coil Looping
- Reverse Polarity Protection

### Display Specifications

Contacts	2 Changeover
No. of Channels	4, 8
<b>RELAY</b>	
Nominal Coil Voltage	24V DC
Must Operate Voltage	18V DC
Max Coil Voltage	33V DC
Coil Current per Channel	46mA
Operate (set) Time	15ms max
Release (reset) Time	5ms max
Endurance	Mechanical : 10000000 ops Electrical : 100000 ops
Dielectric strength	Coil to contact : 5000VAC for 1 minute contact Seis : 3000VAC for 1 minute Open contacts : 1000VAC for 1 minute
Contact Rating	5A@250VAC, 8A@30VDC
Mounting	35 mm DIN rail

### Dimensions (in mm)



### Environmental Specifications

Temperature	Operating : -40 to 85°C
Humidity (non-condensing)	98% RH
Weight	RLYMD-1-S4-2CO-24VDC : 250gms RLYMD-2-S8-2CO-24VDC : 450gms

### Ordering Information

Product Code	Description	Certification
RLYMD-1-S4-2CO-24VDC	Relay Modules – 4 Channel 2 Change Over	<b>CE RoHS</b>
RLYMD-2-S8-2CO-24VDC	Relay Modules – 8 Channel 2 Change Over	<b>CE RoHS</b>